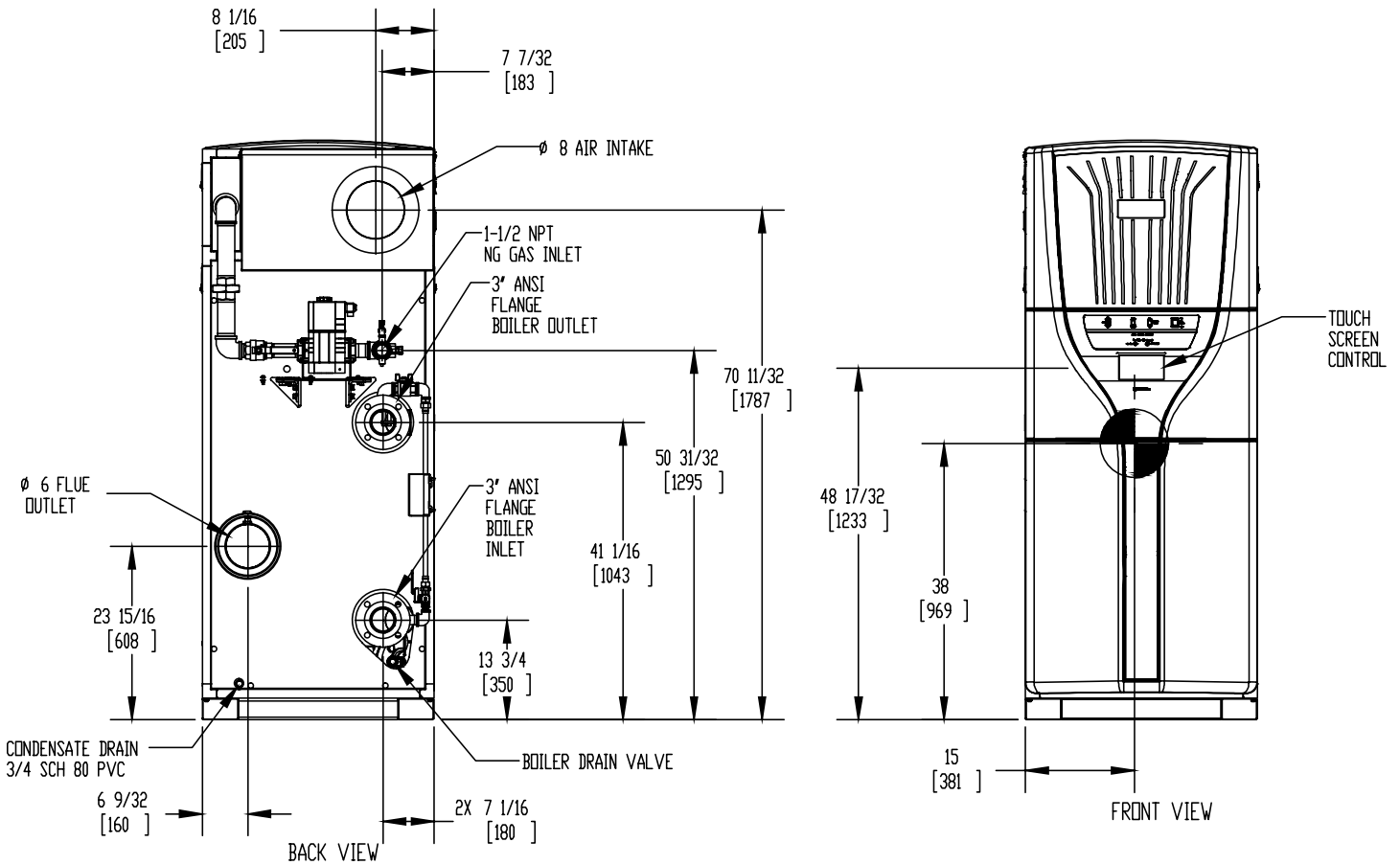


FlexCore 2000

Category II or Category IV Appliance
 (see Installation and Operation Manual for venting information)

CODE OPTIONS

CSD-1	STANDARD
-------	----------



Notes:

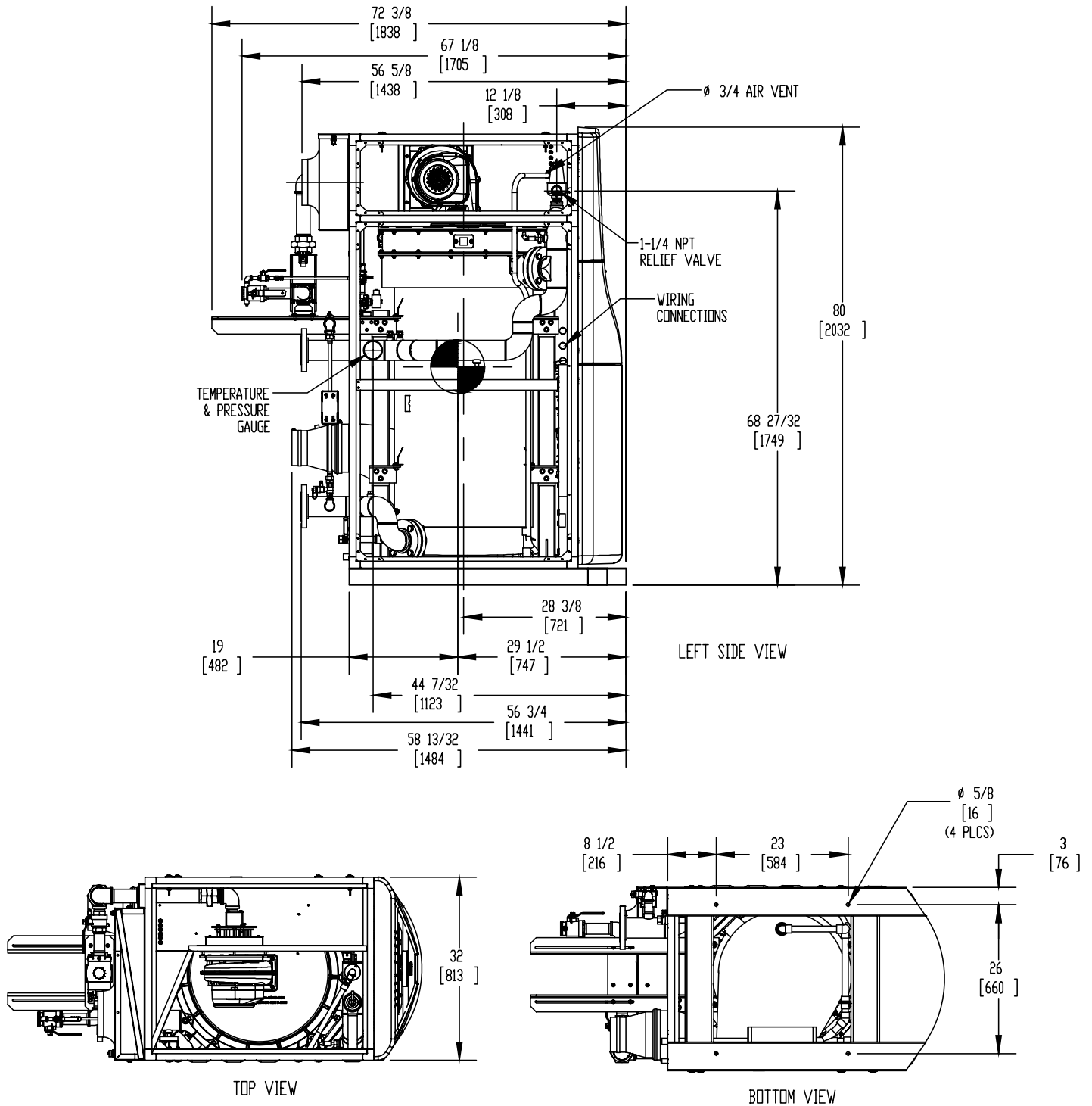
1. Dimensions are approximate and should not be used to "rough-in" equipment.
2. Dimensions are subject to change without notice.
3. All dimensions are in inches (mm).
4. ● Symbol indicates center of gravity.

FlexCore 2000

Category II or Category IV Appliance
(see Installation and Operation Manual for venting information)

CODE OPTIONS

CSD-1	STANDARD
-------	----------



Notes:

1. Dimensions are approximate and should not be used to "rough-in" equipment.
2. Dimensions are subject to change without notice.
3. All dimensions are in inches (mm).
4. ● Symbol indicates center of gravity.

BOILER CERTIFIED RATINGS & CAPACITIES

Fuel Type	Natural Gas	Boiler FLA	12.7*
Input BTU/hr.	1,999,000 / 586 KW	Boiler HP	56.8
Output BTU/hr.	1,901,049 / 557KW	Min. Gas Pressure Required	3" W.C.
Electrical Requirements	230 VAC/60 Hz/1PH (with neutral)	Max. Gas Pressure Allowed	14" W.C.
		Operating Weight	2290 lbs. / 1039 kg.

BOILER TRIM & CONTROLS

Main Gas Valve	Dungs MBC	Air Switch	Huba
Firing Valve	1 1/2" Apollo	Flow Sensor	SIKA
Ignition Control	Honeywell RM7895C	Blocked Flue Switch	Cleveland NS2
Operating Control	HeatNet®	Blower Motor	Ametek
High Limit	Jumo	L.W.C.O.	800
Main Ball Valve	1 1/2" Apollo	Relief Valve	1" x 1-1/4" set @ 50 psi
Pilot Cock	1/4"	Pilot Regulator	White-Rodgers

A.S.M.E.

ASME Sect IV Fire Side Htg Surface	168 Sq. Ft. / 15.6 Sq. M.	Design Data	Max. 160 psig & 210°F
ASME Sect IV Water Side Htg Surface	174 Sq. Ft. / 16.2 Sq. M.	Water Volume	62 gal / 234 liters
CV. GPM (1PSID)	93		

* Add circulator amps.

BOILER TEMPERATURE RISE / PRESSURE DROP (Based on Full Input)

20°F / 11.1°C				40°F / 22.2°C				60°F / 33.3°C				80°F / 44.4°C				100°F / 55.5°C			
Flow Rate		Pressure Drop		Flow Rate		Pressure Drop		Flow Rate		Pressure Drop		Flow Rate		Pressure Drop		Flow Rate		Pressure Drop	
GPM	L/s	Ft	kPa	GPM	L/s	Ft	kPa	GPM	L/s	Ft	kPa	GPM	L/s	Ft	kPa	GPM	L/s	Ft	kPa
190.2	12.0	9.6	28.8	95.1	6.0	2.4	7.2	63.4	4.0	1.1	3.2	47.5	3.0	0.6	1.8	38.0	2.4	0.4	1.2

Flow GPM				Temp. Rise** (°F)				Vent Length (Equiv. Ft.)				Air Inlet Length (Equiv. Ft.)			
Min		Max		Min		Max		Min		Max		Min		Max	
38.0		190.2		20		100		6		100		0		100	

** Min/Max delta t reflects boiler operation at full input. For applications requiring operation above/below these parameters please consult factory.

REP FIRM	_____
SUBMITTED BY	_____
JOB NAME	_____
ARCHITECT	_____
ENGINEER	_____
CONTRACTOR	_____
DATE	_____

FlexCore 2000

Category II or Category IV Appliance
(see Installation and Operation Manual for venting information)



A Division of Mestek, Inc.
Westfield, MA 01085
(413) 564-5515